

UD info Corp.

Industrial micro SD Card

uSD-08UD Series

Product DataSheet

UD info CORP.

3F-4, No.8, Ln. 609, Sec. 5, Chongxin Rd., Sanchong Dist., New Taipei City 241, Taiwan (R.O.C.)

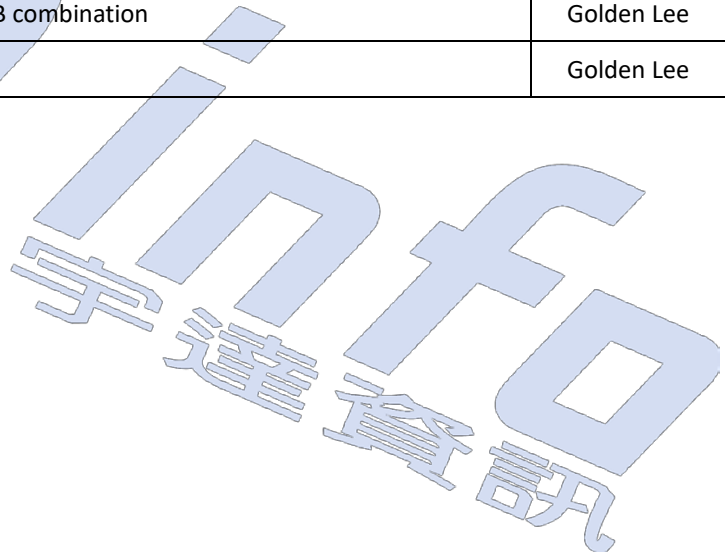
TEL: +886-2-7713-6050 FAX: +886-2-8511-3151

E-mail: sales@UDinfo.com.tw

1.	Introduction	5
1.1.	General Description	5
2.	Product Specifications	6
3.	Environmental Specifications	10
3.1.	Environmental Conditions	10
3.2.	MTBF.....	14
3.3.	Certification	14
4.	micro SD Card Comparison	15
5.	Electrical Specifications	16
5.1.	Power Consumption.....	16
5.2.	DC Characteristic.....	16
5.2.1.	Bus Operation Conditions for 3.3V Signaling.....	16
5.2.2.	Bus Signal Line Load.....	17
5.2.3.	Power Up Time	18
5.3.	AC Characteristic.....	19
5.3.1.	micro SD Interface Timing (Default).....	20
5.3.2.	micro SD Interface Timing (High-Speed Mode).....	21
5.3.3.	micro SD Interface Timing (SDR12, SDR25 and SDR50 Modes).....	22
5.3.4.	micro SD Interface Timing (DDR50 Mode).....	23
6.	Interface	25
6.1.	Pad Assignment and Descriptions	25
7.	Physical Dimension	27
8.	Partnumber decoder	30

Revision History

Revision	Draft Date	History	Author
1.0	2014/5/26	New release	Golden Lee
1.1	2015/4/23	Modify Performance and speed mode	Golden Lee
1.2	2016/1/11	Add performance list for each capacity	Golden Lee
1.3	2016/10/24	Modify physical dimension	Golden Lee
1.4	2016/10/26	Modify PN decoder to support UHS-1 class 3	Golden Lee
1.5	2017/1/18	Add TLC Flash support	Golden Lee
1.6	2017/2/15	Add standard temperature 0~70 support	Golden Lee
1.7	2017/6/27	Modify PN decoder to support 3D Flash	Golden Lee
1.8	2017/7/26	Modify SLC support and performance	Golden Lee
1.9	2017/8/4	1. Add 128GB MLC and 64GB pSLC support 2. Modify write performance	Golden Lee
2.0	2017/8/11	Add MLC 16GB / 32GB combination	Golden Lee
2.1	2017/11/6	Add speed mode	Golden Lee



Product Overview

- **Capacity**
 - SLC: 128MB up to 4GB
 - pSLC: 2GB up to 64GB
 - MLC: 4GB up to 128GB
 - TLC: 4GB up to 256GB
- **Flash Type**
 - Flash Type: SLC, MLC, pSLC, TLC
- **Bus Speed Mode**
 - 128MB to 2GB: Non-UHS
 - 4GB to 256GB: UHS-I
- **Performance**
 - SLC: Read 50 MB/s, Write 40 MB/s
 - MLC: Read 95 MB/s, Write 90 MB/s
 - pSLC: Read 95 MB/s, Write 90 MB/s
 - TLC: Read 90 MB/s, Write 30 MB/s
- **Power Consumption**^{Note1}
 - Power Up Current < 250uA
 - Standby Current < 1000uA
 - Read Current < 400mA
 - Write Current < 400mA
- **MTBF**
 - More than 3,000,000 hours
- **Advanced Flash Management**
 - Static and Dynamic Wear Leveling
 - Bad Block Management
 - SMART Function
 - Auto-Read Refresh
 - Embedded mode
 - PPMS
- **CPRM (Content Protection for Recordable Media)**
- **Temperature Range**
 - Operation (Standard): 0°C ~ 70°C
 - Operation (Gold): -25°C ~ 85°C
 - Operation (Wide): -40°C ~ 85°C
 - Storage: -40°C ~ 85°C
- **Compliant**
 - RoHS
 - CE & FCC

Notes:

1. Please see "Power Consumption" for details.

1. INTRODUCTION

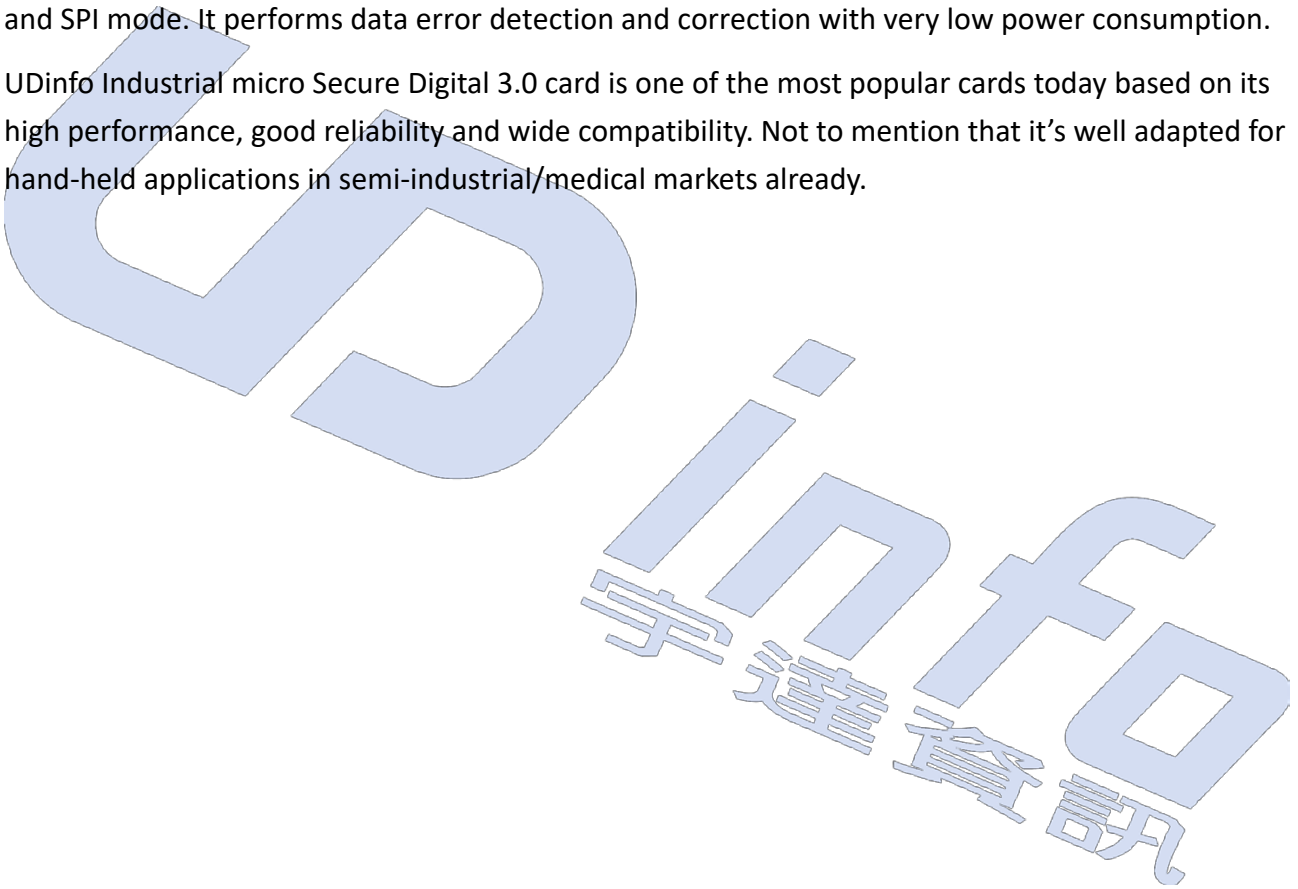


1.1. General Description

The Micro Secure Digital (microSD) card version 3.0 is fully compliant to the specification released by SD Card Association. The Command List supports [Part 1 Physical Layer Specification Ver3.01 Final] definitions. Card Capacity of Non-secure Area, Secure Area Supports [Part 3 Security Specification Ver3.00 Final] Specifications.

The microSD 3.0 card comes with 8-pin interface, designed to operate at a maximum operating frequency of 50MHz or 100MHz. It can alternate communication protocol between the SD mode and SPI mode. It performs data error detection and correction with very low power consumption.

UDinfo Industrial micro Secure Digital 3.0 card is one of the most popular cards today based on its high performance, good reliability and wide compatibility. Not to mention that it's well adapted for hand-held applications in semi-industrial/medical markets already.



2. PRODUCT SPECIFICATIONS



- **Capacity**
 - SLC: 128MB up to 4GB
 - MLC: 4GB up to 128GB
 - pSLC: 2GB up to 64GB
 - TLC: 4GB up to 256GB
- **Operation Temp. Range**
 - Operation (Standard): 0°C ~ 70°C
 - Operation (Gold): -25°C ~ 85°C
 - Operation (Wide): -40°C ~ 85°C
 - Storage: -40°C ~ 85°C
- **Support SD system specification version 3.0**
- **Card capacity of non-secure area and secure area support [Part 3 Security Specification Ver3.0 Final] Specifications**
- **Support SD SPI mode**
- **Designed for read-only and read/write cards**
- **Bus Speed Mode (use 4 parallel data lines)**
 - **Non-UHS mode**
 - Default speed mode: 3.3V signaling, frequency up to 25MHz, up to 12.5 MB/sec
 - High speed mode: 3.3V signaling, frequency up to 50MHz, up to 25 MB/sec
 - Note:** SDSC card (capacity less than and including 2GB) only supports non-UHS mode.
 - **UHS-I mode**
 - SDR12: SDR up to 25MHz, 1.8V signaling
 - SDR25: SDR up to 50MHz, 1.8V signaling
 - SDR50: 1.8V signaling, frequency up to 100MHz, up to 50 MB/sec
 - DDR50: 1.8V signaling, frequency up to 50MHz, sampled on both clock edges, up to 50 MB/sec
 - SDR104: 1.8V signaling, frequency up to 208MHz, up to 104 MB/sec
 - Note:** Timing in 1.8V signaling is different from that of 3.3V signaling.
- **The command list supports [Part 1 Physical Layer Specification Ver3.01 Final] definitions**
- **Copyrights Protection Mechanism**

UD info CORP. TEL: +886-2-7713-6050 FAX: +86-2-8511-3151

3F-4, No.8, Ln. 609, Sec. 5, Chongxin Rd., Sanchong Dist., New Taipei City 241, Taiwan (R.O.C.)

- Compliant with the highest security of SDMI standard
- Support CPRM (Content Protection for Recordable Media) of SD Card
- Card removal during read operation will never harm the content
- Password Protection of cards (optional)
- Write Protect feature using mechanical switch
- Built-in write protection features (permanent and temporary)
- +4KV/-4KV ESD protection in contact pads
- Operation voltage range: 2.7 ~ 3.6V



● Performance

■ SLC:

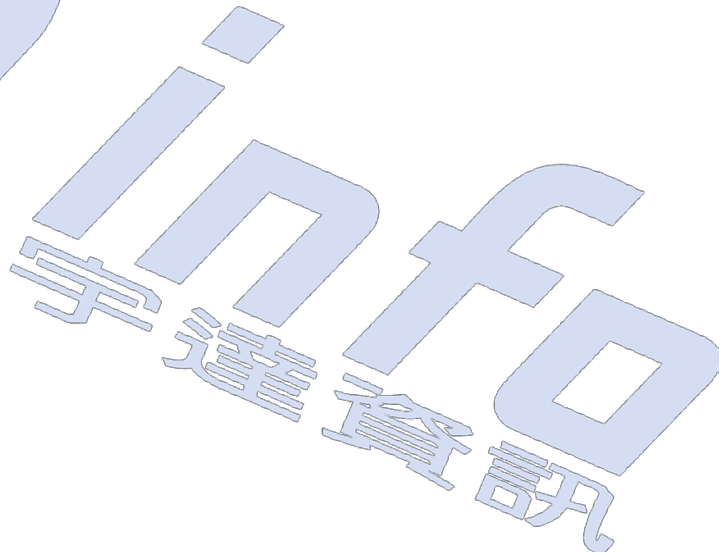
Capacity	mode	Flash Structure	Flash Type	Sequential	
				Read (MB/s)	Write (MB/s)
128MB	Class 2	128MB x 1	SIP	16	4
256MB	Class 6	256MB x 1	SIP	16	10
512MB	Class 6	512MB x 1	SIP	16	10
1GB	Class 6	512MB x 2	SIP	18	10
2GB	Class 6	512MB x 4	SIP	20	20
4GB	UHS-I (Class 10)	512MB x 8	SIP	50	40

■ MLC

Capacity	mode	Flash Structure	Flash Type	Sequential	
				Read (MB/s)	Write (MB/s)
4GB	UHS-I (Class 10)	4GB x 1	SIP	90	10
8GB	UHS-I (Class 10)	8GB x 1	SIP	95	20
16GB	UHS-I (Class 10)	8GB x 2	SIP	95	45
		16GB x 1		95	20
32GB	UHS-I (Class 10)	8GB x 4	SIP	95	90
		16GB x 2		95	45
64GB	UHS-I (Class 10)	8GB x 8	SIP	95	90
128GB	UHS-I (Class 10)	8GB x 16	SIP	95	90

■ pSLC:

Capacity	mode	Flash Structure	Flash Type	Sequential	
				Read (MB/s)	Write (MB/s)
2GB	Class 6	4GB x 1	SIP	20	20
4GB	UHS-I (Class 10)	8GB x 1	SIP	90	75
8GB	UHS-I (Class 10)	8GB x 2	SIP	95	90
16GB	UHS-I (Class 10)	8GB x 4	SIP	95	90
32GB	UHS-I (Class 10)	8GB x 8	SIP	95	90
64GB	UHS-I (Class 10)	8GB x 16	SIP	95	90



3. ENVIRONMENTAL SPECIFICATIONS



3.1. Environmental Conditions

Temperature and Humidity

- Storage Temperature Range
 - -40°C ~ 85°C
- Operation Temperature Range
 - Standard Temperature: 0°C ~ 70°C
 - Gold Temperature: -25°C ~ 85°C
 - Wide Temperature: -40°C ~ 85°C

Table 3-1 High Temperature Test Condition (Standard)

	Temperature	Humidity	Test Time
Operation	85°C	0% RH	168 hours
Storage	85°C	0% RH	500 hours

Result: No any abnormality is detected.

Table 3-2 High Temperature Test Condition (Wide)

	Temperature	Humidity	Test Time
Operation	85°C	0% RH	300 hours
Storage	85°C	0% RH	500 hours

Result: No any abnormality is detected.

Table 3-3 Low Temperature Test Condition (Standard)

	Temperature	Humidity	Test Time
Operation	-25°C	0% RH	168 hours
Storage	-40°C	0% RH	300 hours

Result: No any abnormality is detected.

Table 3-4 Low Temperature Test Condition (Wide)

	Temperature	Humidity	Test Time
Operation	-40°C	0% RH	168 hours
Storage	-40°C	0% RH	500 hours

Result: No any abnormality is detected.

Table 3-5 High Humidity Test Condition

	Temperature	Humidity	Test Time
Operation	40°C	95% RH	4 hours
Storage	40°C	95% RH	500 hours

Result: No any abnormality is detected.

Table 3-6 High Humidity Test Condition

	Temperature	Humidity	Test Time
Operation	55°C	95% RH	4 hours
Storage	55°C	95% RH	500 hours

Result: No any abnormality is detected.

Table 3-7 Temperature Cycle Test (Standard)

	Temperature	Test Time	Cycle
Operation	-25°C	30 min	20 Cycles
	85°C	30 min	
Storage	-40°C	30 min	20 Cycles
	85°C	30 min	

Result: No any abnormality is detected.

Table 3-8 Temperature Cycle Test (Wide)

	Temperature	Test Time	Cycle
Operation	-40°C	30 min	20 Cycles
	85°C	30 min	
Storage	-40°C	30 min	50 Cycles
	85°C	30 min	

Result: No any abnormality is detected.

Shock

Table 3-9 Shock Specification

	Acceleration Force	Half Sin Pulse Duration
Industrial micro SD card	1500G	0.5ms

Result: No any abnormality is detected when power on.

Vibration

Table 3-10 Vibration Specification

	Condition		Vibration Orientation
	Frequency/Displacement	Frequency/Acceleration	
Industrial micro SD card	20Hz~80Hz/1.52mm	80Hz~2000Hz/20G	X, Y, Z axis/30 min for each

Result: No any abnormality is detected when power on.

Drop

Table 3-11 Drop Specification

	Height of Drop	Number of Drop
Industrial micro SD card	150cm free fall	6 face of each unit

Result: No any abnormality is detected when power on.

Bending

Table 3-12 Bending Specification

	Force	Action
Industrial micro SD card	≥ 10N	Hold 1min/5times

Result: No any abnormality is detected when power on.

Torque

Table 3-13 Torque Specification

	Force	Action
Industrial micro SD card	0.1N-m or +/-2.5 deg	Hold 30 seconds/5times

Result: No any abnormality is detected when power on.

Salt Spray Test

Table 3-14 Salt Spray Test

	Temperature	Concentration	Duration
Industrial micro SD card	35°C	3% NaCl	Storage for 24 hours

Result: No any abnormality is detected when power on.

Waterproof Test

Table 3-15 Waterproof Test

	Condition	Duration
Industrial micro SD card	Water temperature: 25°C Water depth: The lowest point of unit is locating 1000mm below surface.	Submerge for 30 minutes

Result: JIS IPX7 compliance. No any abnormality is detected when power on

X-Ray Exposure Test

Table 3-16 X-Ray Exposure Test

	Condition	Duration
Industrial micro SD card	0.1 Gy of medium energy radiation (70 keV to 140keV, cumulative does per year) to both sides of the card.	Storage for 30mins

Result: ISO 7816-1 compliance. No any abnormality is detected when power on

Switch Cycle Test

Table 3-17 Switch Cycle Test

	Applied Force	Result
Industrial micro SD card	0.4~0.5 N 1000 times	PASS

Result: No any abnormality is detected when power on

Durability Test

Table 3-18 Durability Test

	Mating cycle	Result
Industrial micro SD card	10000 times	PASS

Result: No any abnormality is detected when power on

Electrostatic Discharge (ESD)

Table 3-19 Contact ESD Specification

	Condition	Result
Industrial micro SD card	Contact: +/- 4KV each item 25 times Air: +/- 8KV 10 times	PASS

3.2. MTBF

MTBF, an acronym for Mean Time Between Failures, is a measure of a device’s reliability. Its value represents the average time between a repair and the next failure. The measure is typically in units of hours. The higher the MTBF value, the higher the reliability of the device. The predicted result of UDinfo’s micro SD is more than 3,000,000 hours.

3.3. Certification

- RoHS
- CE / FCC

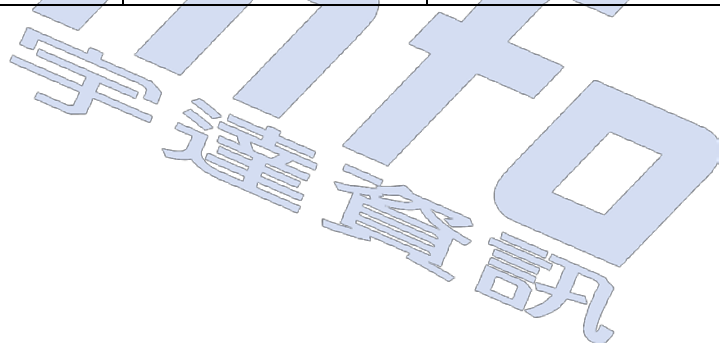


4. MICRO SD CARD COMPARISON



Table 4-1 Comparing SD3.0 Standard / SD3.0 SDHC

	SD3.0 Standard (Backward compatible to 2.0 host)	SD3.0 SDHC (Backward compatible to 2.0 host)	SD3.0 SDXC
Addressing Mode	Byte (1 byte unit)	Block (512 byte unit)	Block (512 byte unit)
HCS/CCS bits of ACMD41	Support	Support	Support
CMD8 (SEND_IF_COND)	Support	Support	Support
CMD16 (SET_BLOCKLEN)	Support	Support (Only CMD42)	Support (Only CMD42)
Partial Read	Support	Not Support	Not Support
Lock/Unlock Function	Mandatory	Mandatory	Mandatory
Write Protect Groups	Optional	Not Support	Not Support
Supply Voltage 2.0v – 2.7v (for initialization)	Not Support	Not Support	Not Support
Total Bus Capacitance for each signal line	40pF	40pF	40pF
CSD Version (CSD_STRUCTURE Value)	1.0 (0x0)	2.0 (0x1)	2.0 (0x1)
Speed Class	Optional	Mandatory (Class 2 / 4 / 6 / 10)	Mandatory (Class 2 / 4 / 6 / 10)



5. ELECTRICAL SPECIFICATIONS



5.1. Power Consumption

The table below is the power consumption of micro SD card with different flash memory types.

Table 5-1 Power Consumption of Industrial micro SD card

Flash Mode	Max. Standby Current (uA)	Max. Read Current (mA)	Max. Write Current (mA)
SLC	250	200	200
MLC	1000	400	400
pSLC	1000	400	400
TLC	1000	400	400

Note:

1. Data transfer mode is single channel.
2. Power consumption may differ according to flash configuration, SDR configuration, or platform

5.2. DC Characteristic

5.2.1. Bus Operation Conditions for 3.3V Signaling

Table 5-2 Threshold Level for High Voltage Range

Parameter	Symbol	Min.	Max	Unit	Condition
Supply Voltage	VDD	2.7	3.6	V	
Output High Voltage	VOH	0.75*VDD		V	IOH=-2mA VDD Min
Output Low Voltage	VOL		0.125*VDD	V	IOL=2mA VDD Min
Input High Voltage	VIH	0.625*VDD	VDD+0.3	V	
Input Low Voltage	VIL	VSS-0.3	0.25*VDD	V	
Power Up Time			250	ms	From 0V to VDD min

Table 5-3 Peak Voltage and Leakage Current

Parameter	Symbol	Min	Max.	Unit	Remarks
Peak voltage on all lines		-0.3	V _{DD} +0.3	V	
All Inputs					
Input Leakage Current		-10	10	uA	
All Outputs					
Output Leakage Current		-10	10	uA	

Table 5-4 Threshold Level for 1.8V Signaling

Parameter	Symbol	Min.	Max	Unit	Condition
Supply Voltage	VDD	2.7	3.6	V	
Regulator Voltage	VDDIO	1.7	1.95	V	Generated by VDD
Output High Voltage	VOH	1.4	-	V	IOH=-2mA
Output Low Voltage	VOL	-	0.45	V	IOL=2mA
Input High Voltage	VIH	1.27	2.00	V	
Input Low Voltage	VIL	Vss-0.3	0.58	V	

Table 5-5 Input Leakage Current for 1.8V Signaling

Parameter	Symbol	Min	Max.	Unit	Remarks
Input Leakage Current		-2	2	uA	DAT3 pull-up is disconnected.

5.2.2. Bus Signal Line Load

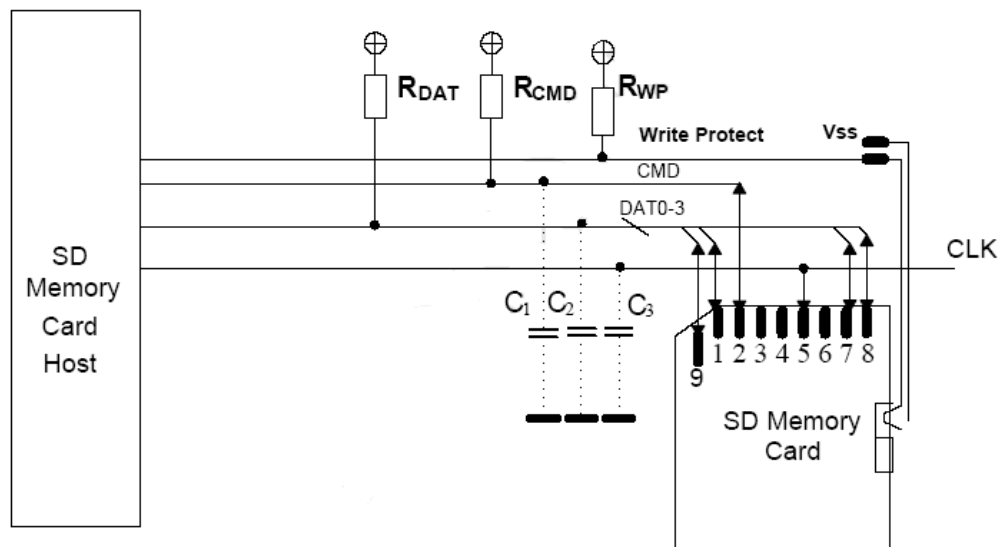


Figure 5-1 Bus Circuitry Diagram

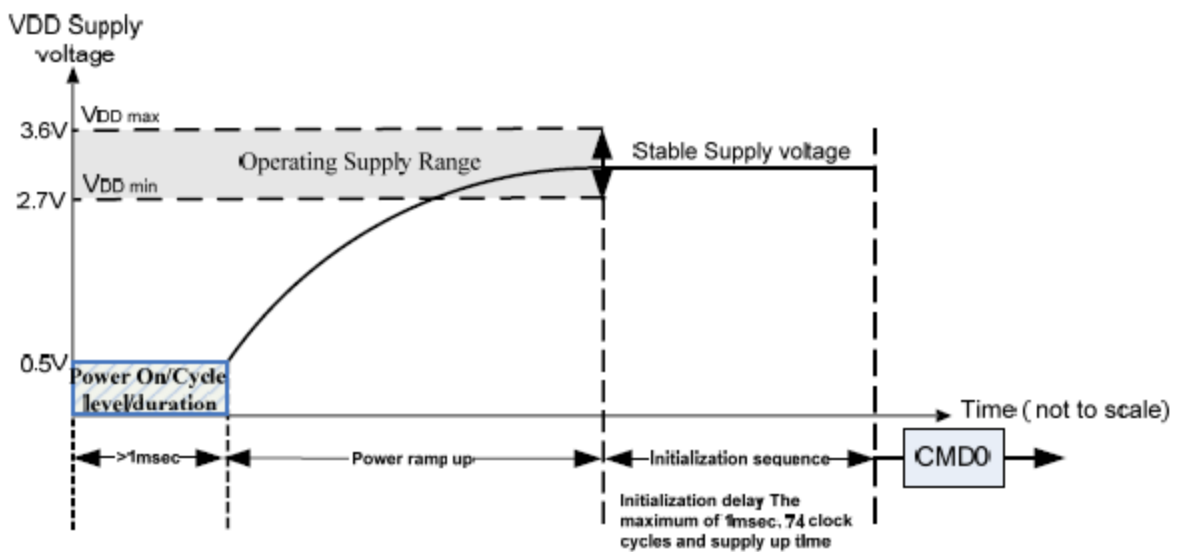
Bus Operation Conditions – Signal Line’s Load

Total Bus Capacitance = CHOST + CBUS + N CCARD

Parameter	symbol	Min	Max	Unit	Remark
Pull-up resistance	R_{CMD} R_{DAT}	10	100	k Ω	to prevent bus floating
Total bus capacitance for each signal line	C_L		40	pF	1 card CHOST+CBUS shall not exceed 30 pF
Card Capacitance for each signal pin	CCARD		10	pF	
Maximum signal line inductance			16	nH	
Pull-up resistance inside card (pin1)	RDAT3	10	90	k Ω	May be used for card detection
Capacity Connected to Power Line	CC		5	uF	To prevent inrush current

5.2.3. Power Up Time

Host needs to keep power line level less than 0.5V and more than 1ms before power ramp up.



Power On or Power Cycle

Followings are requirements for Power on and Power cycle to assure a reliable SD Card hard reset.

- (1) Voltage level shall be below 0.5V.
- (2) Duration shall be at least 1ms.

Power Supply Ramp Up

The power ramp up time is defined from 0.5V threshold level up to the operating supply voltage which is stable between VDD (min.) and VDD (max.) and host can supply SDCLK.

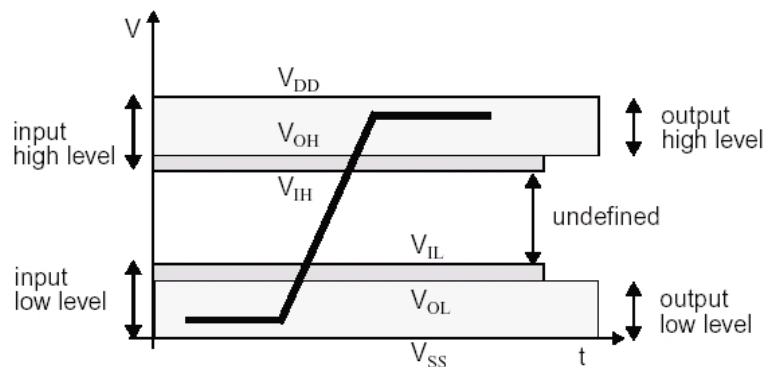
Followings are recommendations of Power ramp up:

- (1) Voltage of power ramp up should be monotonic as much as possible.
- (2) The minimum ramp up time should be 0.1ms.
- (3) The maximum ramp up time should be 35ms for 2.7-3.6V power supply.

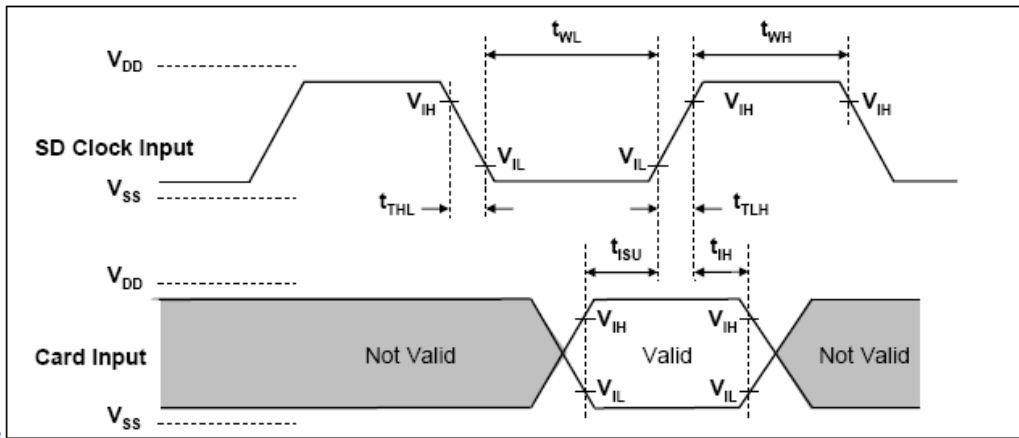
Power Down and Power Cycle

- (1) When the host shuts down the power, the card VDD shall be lowered to less than 0.5Volt for a minimum period of 1ms. During power down, DAT, CMD, and CLK should be disconnected or driven to logical 0 by the host to avoid a situation that the operating current is drawn through the signal lines.
- (2) If the host needs to change the operating voltage, a power cycle is required. Power cycle means the power is turned off and supplied again. Power cycle is also needed for accessing cards that are already in *Inactive State*. To create a power cycle the host shall follow the power down description before power up the card (i.e. the card VDD shall be once lowered to less than 0.5Volt for a minimum period of 1ms).

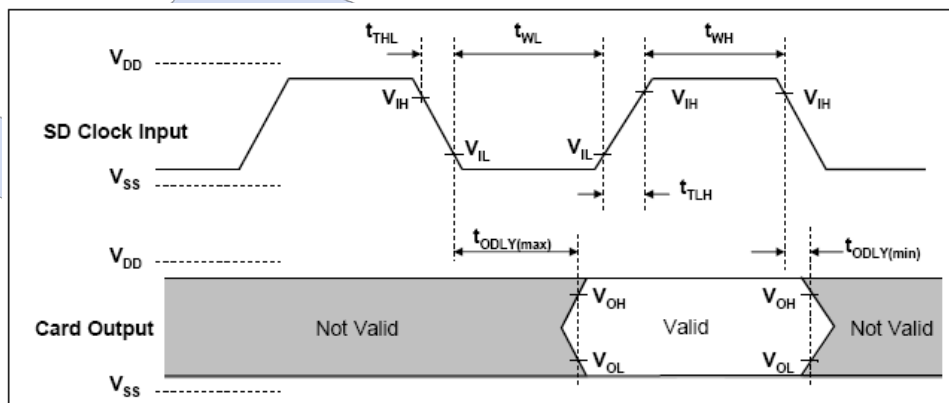
5.3. AC Characteristic



5.3.1. micro SD Interface Timing (Default)



Card Input Timing (Default Speed Card)



Card Output Timing (Default Speed Mode)

Parameter	Symbol	Min	Max	Unit	Remark
Clock CLK (All values are referred to min(V_{IH}) and max(V_{IL}))					
Clock frequency Data Transfer Mode	f _{PP}	0	25	MHz	C _{card} ≤ □ 10 pF (1 card)
Clock frequency Identification Mode	f _{OD}	0(1)/100	400	kHz	C _{card} ≤ □ 10 pF (1 card)
Clock low time	t _{WL}	10		ns	C _{card} ≤ □ 10 pF (1 card)
Clock high time	t _{WH}	10		ns	C _{card} ≤ □ 10 pF (1 card)
Clock rise time	t _{TLH}		10	ns	C _{card} ≤ □ 10 pF (1 card)
Clock fall time	t _{THL}		10	ns	C _{card} ≤ □ 10 pF (1 card)
Inputs CMD, DAT (referenced to CLK)					
Input set-up time	t _{ISU}	5		ns	C _{card} ≤ □ 10 pF (1 card)
Input hold time	t _{IH}	5		ns	C _{card} ≤ □ 10 pF

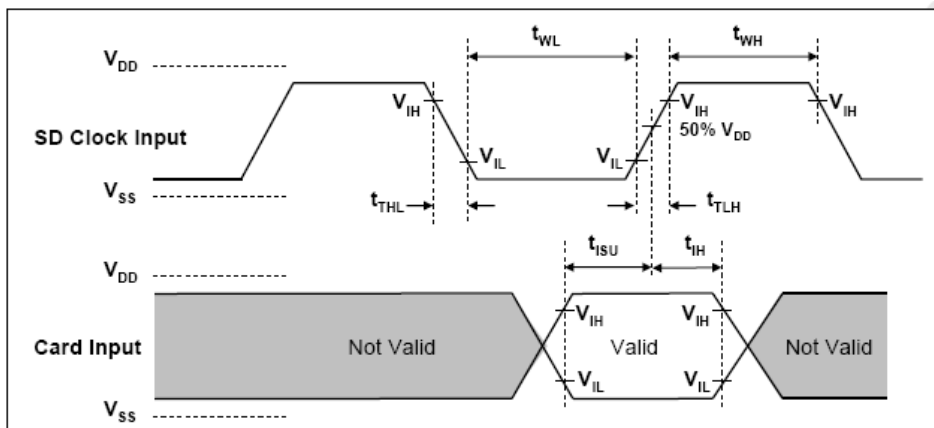
UD info CORP. TEL: +886-2-7713-6050 FAX: +86-2-8511-3151

3F-4, No.8, Ln. 609, Sec. 5, Chongxin Rd., Sanchong Dist., New Taipei City 241, Taiwan (R.O.C.)

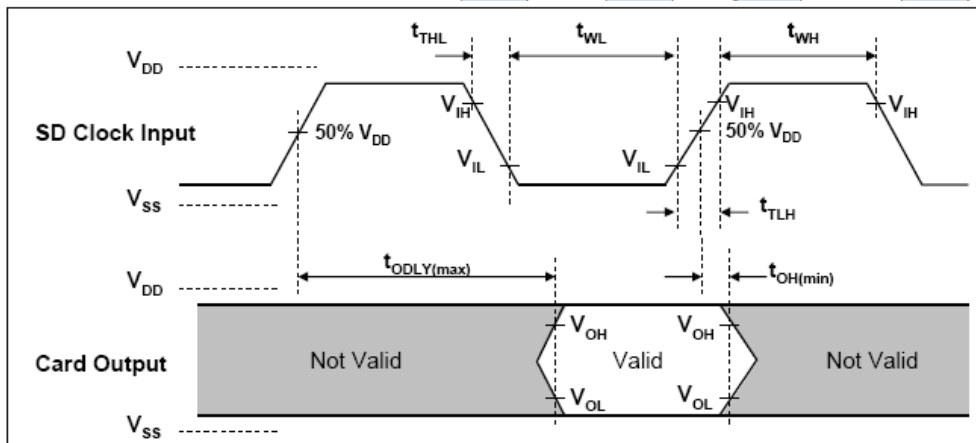
					(1 card)
Outputs CMD, DAT (referenced to CLK)					
Output Delay time during Data Transfer Mode	t_{ODLY}	0	14	ns	$C_L \leq 40$ pF (1 card)
Output Delay time during Identification Mode	t_{ODLY}	0	50	ns	$C_L \leq 40$ pF (1 card)

(1) 0Hz means to stop the clock. The given minimum frequency range is for cases where continuous clock is required.

5.3.2. micro SD Interface Timing (High-Speed Mode)



Card Input Timing (High Speed Card)



Card Output Timing (High Speed Mode)

Parameter	Symbol	Min	Max	Unit	Remark
Clock CLK (All values are referred to min(V_{IH}) and max(V_{IL}))					
Clock frequency Data Transfer Mode	f_{PP}	0	50	MHz	$C_{card} \leq 10$ pF (1 card)
Clock low time	t_{WL}	7		ns	$C_{card} \leq 10$ pF (1 card)

UD info CORP. TEL: +886-2-7713-6050 FAX: +86-2-8511-3151

3F-4, No.8, Ln. 609, Sec. 5, Chongxin Rd., Sanchong Dist., New Taipei City 241, Taiwan (R.O.C.)

Clock high time	t_{WH}	7		ns	$C_{card} \leq 10 \text{ pF}$ (1 card)
Clock rise time	t_{TLH}		3	ns	$C_{card} \leq 10 \text{ pF}$ (1 card)
Clock fall time	t_{THL}		3	ns	$C_{card} \leq 10 \text{ pF}$ (1 card)
Inputs CMD, DAT (referenced to CLK)					
Input set-up time	t_{ISU}	6		ns	$C_{card} \leq 10 \text{ pF}$ (1 card)
Input hold time	t_{IH}	2		ns	$C_{card} \leq 10 \text{ pF}$ (1 card)
Outputs CMD, DAT (referenced to CLK)					
Output Delay time during Data Transfer Mode	t_{ODLY}		14	ns	$C_L \leq 40 \text{ pF}$ (1 card)
Output Hold time	T_{OH}	2.5		ns	$C_L \leq 15 \text{ pF}$ (1 card)
Total System capacitance of each line ¹	C_L		40	pF	$CL \leq 15 \text{ pF}$ (1 card)

(1) In order to satisfy severe timing, the host shall drive only one card.

5.3.3. micro SD Interface Timing (SDR12, SDR25 and SDR50 Modes)

Input

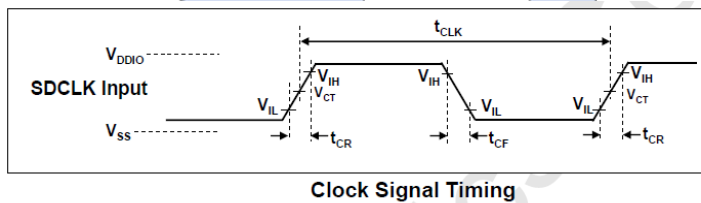
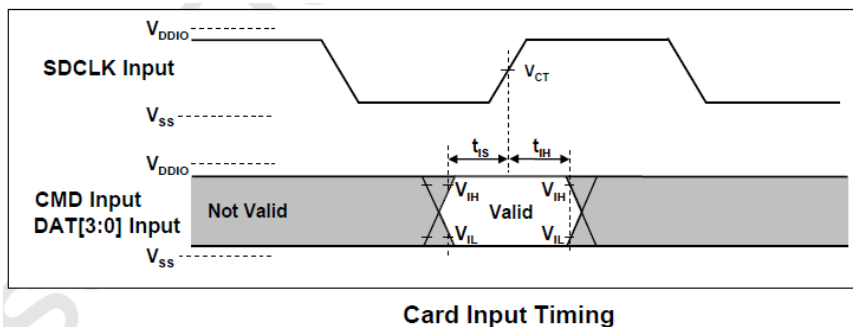


Table 5-6 Clock Signal Timing

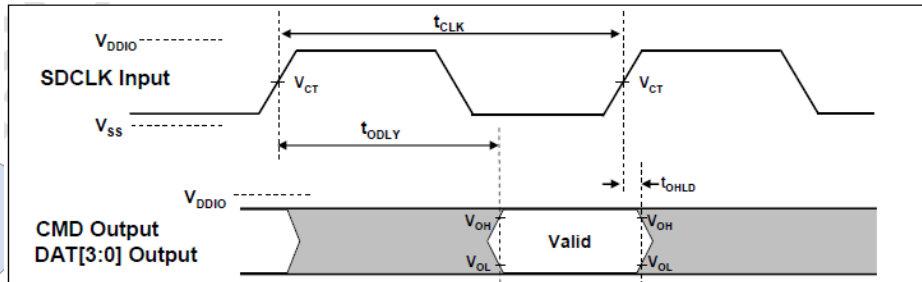
Symbol	Min	Max	Unit	Remark
tCLK	4.80	-	ns	208MHz (Max.), Between rising edge, $V_{CT} = 0.975V$
tCR, tCF	-	$0.2 * t_{CLK}$	ns	$t_{CR}, t_{CF} < 2.00ns$ (max.) at 100MHz, $CCARD = 10pF$
Clock Duty	30	70	%	

SDR50 Input Timing



Symbol	Min	Max	Unit	SDR50 Mode
tIs	3.00	-	ns	CCARD =10pF, VCT= 0.975V
tIH	0.80	-	ns	CCARD =5pF, VCT= 0.975V

Output

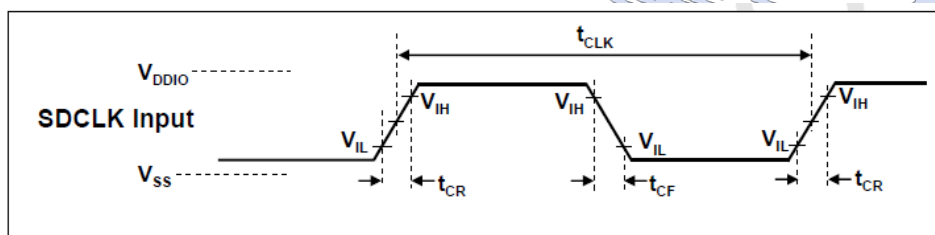


Output Timing of Fixed Data Window

Table 5-7 Output Timing of Fixed Data Window

Symbol	Min	Max	Unit	Remark
tODLY	-	7.5	ns	tCLK>=10.0ns, CL=30pF, using driver Type B, for SDR50
tODLY	-	14	ns	tCLK>=20.0ns, CL=40pF, using driver Type B, for SDR25 and SDR12,
TOH	1.5	-	ns	Hold time at the tODLY (min.), CL=15pF

5.3.4. micro SD Interface Timing (DDR50 Mode)



Clock Signal Timing

Symbol	Min	Max	Unit	Remark
tCLK	20	-	ns	50MHz (Max.), Between rising edge
tCR, tCF	-	0.2* tCLK	ns	tCR, tCF < 4.00ns (max.) at 50MHz, CCARD=10pF
Clock Duty	45	55	%	

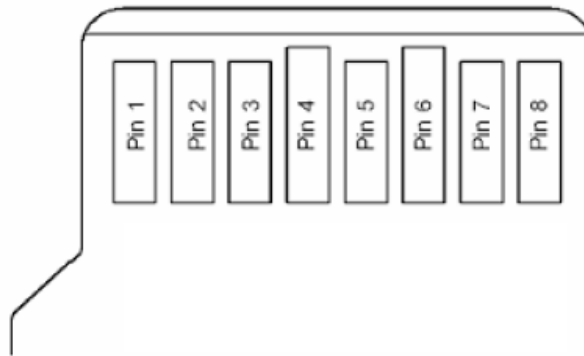
Table 5-8 Bus Timings – Parameters Values (DDR50 Mode)

Parameter	Symbol	Min	Max	Unit	Remark
Input CMD (referenced to CLK rising edge)					
Input set-up time	t_{ISU}	6	-	ns	$C_{card} \leq 10$ pF (1 card)
Input hold time	t_{IH}	0.8	-	ns	$C_{card} \leq 10$ pF (1 card)
Output CMD (referenced to CLK rising edge)					
Output Delay time during Data Transfer Mode	t_{ODLY}		13.7	ns	$C_L \leq 30$ pF (1 card)
Output Hold time	T_{OH}	1.5	-	ns	$C_L \geq 15$ pF (1 card)
Inputs DAT (referenced to CLK rising and falling edges)					
Input set-up time	t_{ISU2x}	3	-	ns	$C_{card} \leq 10$ pF (1 card)
Input hold time	t_{IH2x}	0.8	-	ns	$C_{card} \leq 10$ pF (1 card)
Outputs DAT (referenced to CLK rising and falling edges)					
Output Delay time during Data Transfer Mode	t_{ODLY2x}	-	7.0	ns	$C_L \leq 25$ pF (1 card)
Output Hold time	T_{OH2x}	1.5	-	ns	$C_L \geq 15$ pF (1 card)

6. INTERFACE



6.1. Pad Assignment and Descriptions

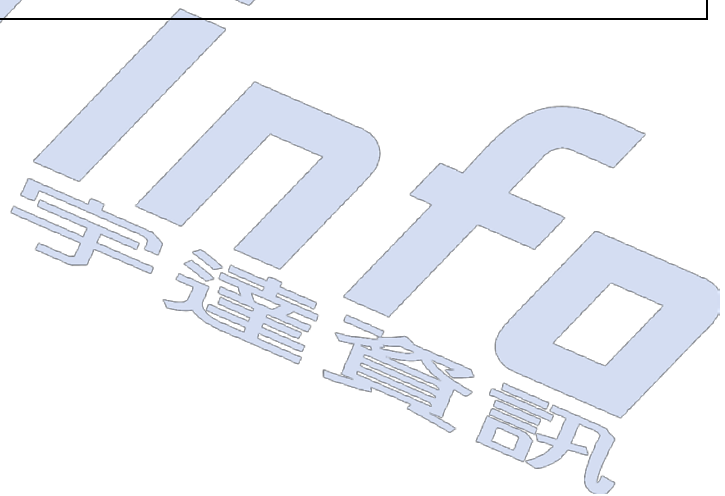


pin	SD Mode			SPI Mode		
	Name	Type ¹	Description	Name	Type	Description
1	DAT2	I/O/PP	Data Line[bit2]	RSV		
2	CD/DAT3 ²	I/O/PP ³	Card Detect/ Data Line[bit3]	CS	I ³	Chip Select (neg true)
3	CMD	PP	Command/Response	DI	I	Data In
4	V _{DD}	S	Supply voltage	V _{DD}	S	Supply voltage
5	CLK	I	Clock	SCLK	I	Clock
6	V _{SS}	S	Supply voltage ground	V _{SS}	S	Supply voltage ground
7	DAT0	I/O/PP	Data Line[bit0]	DO	O/PP	Data Out
8	DAT1	I/O/PP	Data Line[bit1]	RSV		

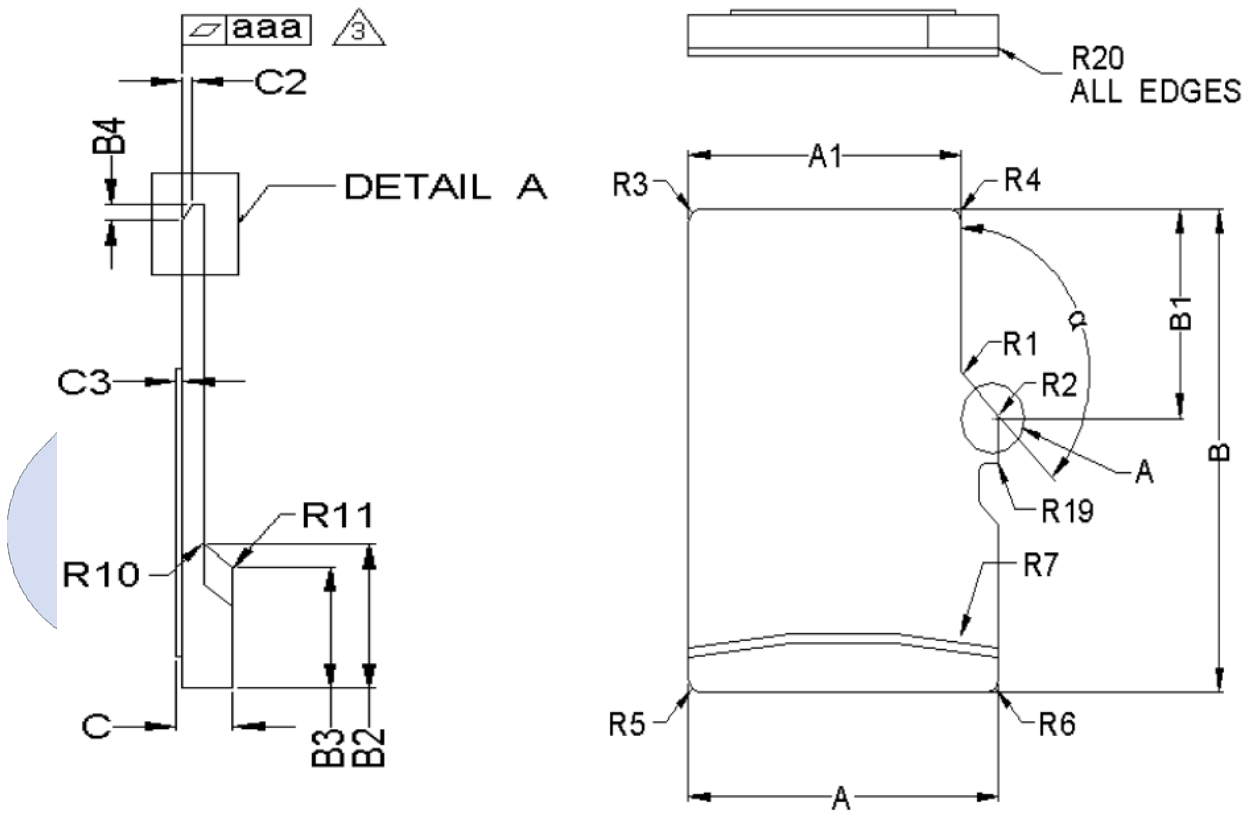
- (1) S: power supply, I: input; O: output using push-pull drivers; PP:I/O using push-pull drivers
- (2) The extended DAT lines (DAT1-DAT3) are input on power up. They start to operate as DAT lines after SET_BUS_WIDTH command. The Host shall keep its own DAT1-DAT3 lines in input mode, as well, while they are not used. It is defined so, in order to keep compatibility to MultiMedia Cards.
- (3) At power up this line has a 50KOhm pull up enabled in the card. This resistor serves two functions Card detection and Mode Selection. For Mode Selection, the host can drive the line high or let it be pulled high to select SD mode. If the host wants to select SPI mode it should drive the line low. For Card detection, the host detects that the line is pulled high. This pull-up should be disconnected by the user during regular data transfer period, with

SET_CLR_CARD_DETECT (ACMD42) command.

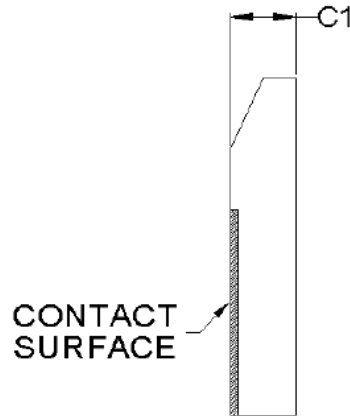
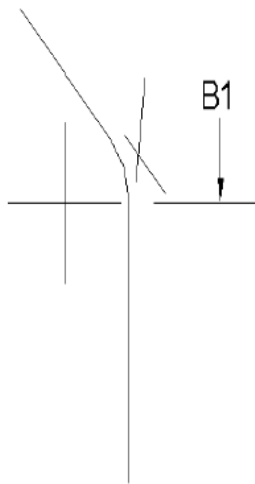
Name	Width	Description
CID	128bit	Card identification number; card individual number for identification. Mandatory
RCA ¹	16bit	Relative card address; local system address of a card, dynamically suggested by the card and approved by the host during initialization. Mandatory
DSR	16bit	Driver Stage Register; to configure the card's output drivers. Optional
CSD	128bit	Card Specific Data; information about the card operation conditions. Mandatory
SCR	64bit	SD Configuration Register; information about the SD Memory Card's Special Features capabilities Mandatory
OCR	32bit	Operation conditions register. Mandatory.
SSR	512bit	SD Status; information about the card proprietary features Mandatory
OCR	32bit	Card Status; information about the card status Mandatory



7. PHYSICAL DIMENSION

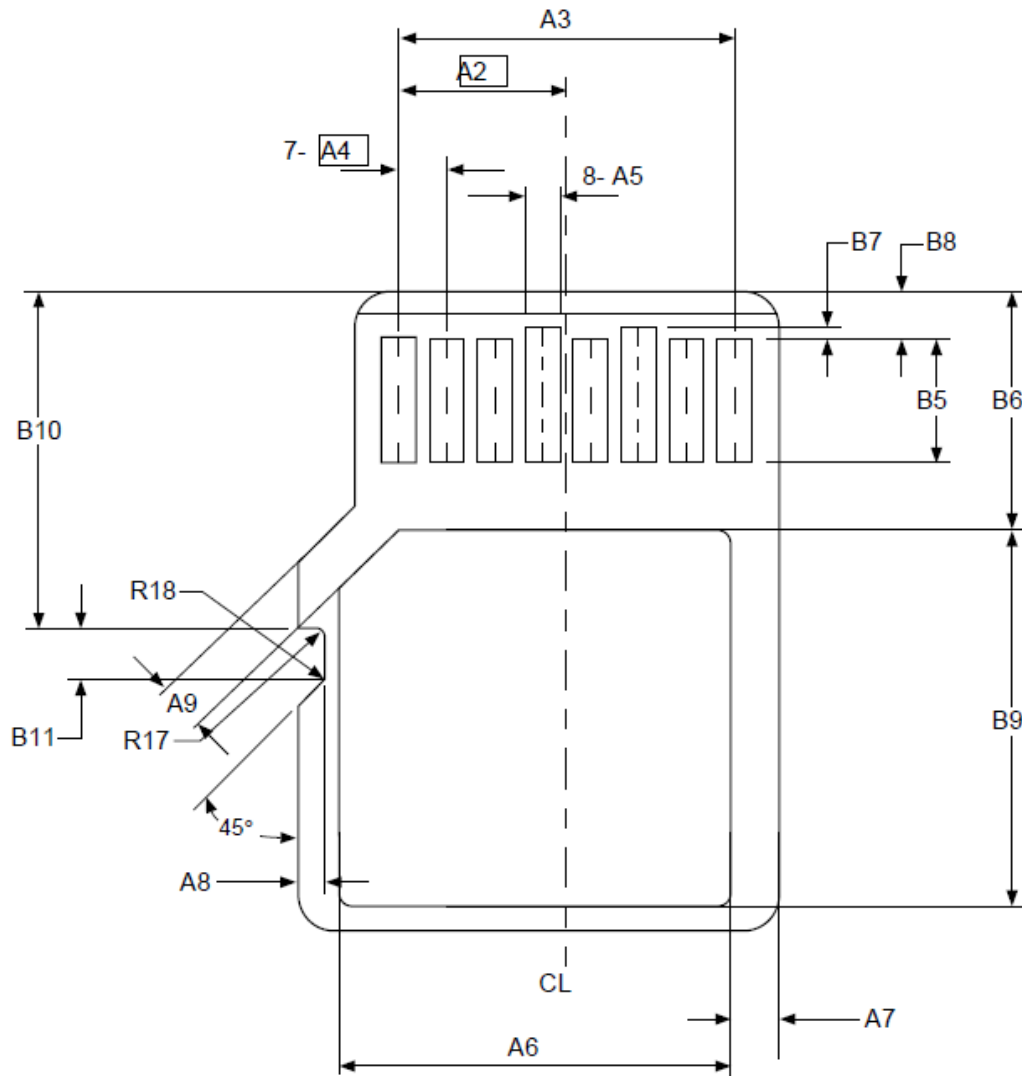


VIEW A

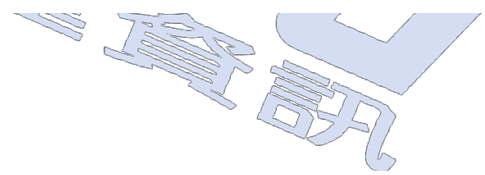


DETAIL A

Top View



Bottom View



SYMBOL	COMMON DIMENSIONS			NOTE
	MIN	NOM	MAX	
A	10.90	11.00	11.10	
A1	9.60	9.70	9.80	
A2	-	3.85	-	BASIC
A3	7.60	7.70	7.80	
A4	-	1.10	-	BASIC
A5	0.75	0.80	0.85	
A6	-	-	8.50	
A7	0.90	-	-	
A8	0.60	0.70	0.80	
A9	0.80	-	-	
A10	1.35	1.40	1.45	
A11	6.50	6.60	6.70	
A12	0.50	0.55	0.60	
A13	0.40	0.45	0.50	
B	14.90	15.00	15.10	
B1	6.30	6.40	6.50	
B2	1.64	1.84	2.04	
B3	1.30	1.50	1.70	
B4	0.42	0.52	0.62	
B5	2.80	2.90	3.00	
B6	5.50	-	-	
B7	0.20	0.30	0.40	
B8	1.00	1.10	1.20	
B9	-	-	9.00	
B10	7.80	7.90	8.00	
B11	1.10	1.20	1.30	
B12	3.60	3.70	3.80	
B13	2.80	2.90	3.00	
B14	8.20	-	-	
B15	-	-	6.20	
C	0.90	1.00	1.10	
C1	0.60	0.70	0.80	
C2	0.20	0.30	0.40	
C3	0.00	-	0.15	
D1	1.00	-	-	
D2	1.00	-	-	
D3	1.00	-	-	
R1	0.20	0.40	0.60	
R2	0.20	0.40	0.60	
R3	0.70	0.80	0.90	
R4	0.70	0.80	0.90	
R5	0.60	0.80	0.90	
R6	0.60	0.80	0.90	
R7	29.50	30.00	30.50	
R10	-	0.20	-	
R11	-	0.20	-	
R17	0.10	0.20	0.30	
R18	0.20	0.40	0.60	
R19	0.05	-	0.20	
R20	∅	-	0.15	
α	133°	135°	137°	
aaa			0.10	

Notes :

1. DIMENSIONING AND TOLERANCING PER ASME Y14.5M - 1994.
2. DIMENSIONS ARE IN MILLIMETERS.
- △ COPLANARITY IS ADDITIVE TO C1 MAX THICKNESS.
- △ ALL EDGES SHALL NOT BE SHARP AS TESTED PER UL1439 "Test for Sharpness of Edges on Equipment."
5. Refer to Appendix E about test method of warpage.

8. PARTNUMBER DECODER



uSD-08UDX⁸X⁹X¹⁰X¹¹X¹²X¹³X¹⁴X¹⁵

X ¹ X ² X ³	X ⁴ X ⁵	X ⁶ X ⁷	X ⁸ X ⁹ X ¹⁰ X ¹¹ X ¹²	X ¹³	X ¹⁴	X ¹⁵
uSD	08	UD	128MB 008GB 256MB 016GB 512MB 032GB 001GB 064GB 002GB 128GB 004GB 256GB	C: SLC Standard (0°C ~ +70°C) D: SLC Gold (-25°C ~ +85°C) I: SLC Industrial (-40°C ~ +85°C) K: MLC Standard (0°C ~ +70°C) L: MLC Gold (-25°C ~ +85°C) M: MLC Industrial (-40°C ~ +85°C) P: pSLC Standard (0°C ~ +70°C) Q: pSLC Gold (-25°C ~ +85°C) F: pSLC Industrial (-40°C ~ +85°C) T: TLC Standard (-25°C ~ +85°C) R: 3D MLC Standard (0°C ~ +70°C) S: 3D MLC Industrial (-40°C ~ +85°C) A: 3D TLC Standard (0°C ~ +70°C) J: 3D TLC Gold (-25°C ~ +85°C)	2: Class 2 4: Class 4 6: Class 6 A: Class 10 S: UHS-I Class 1 T: UHS-I Class 3	P

